



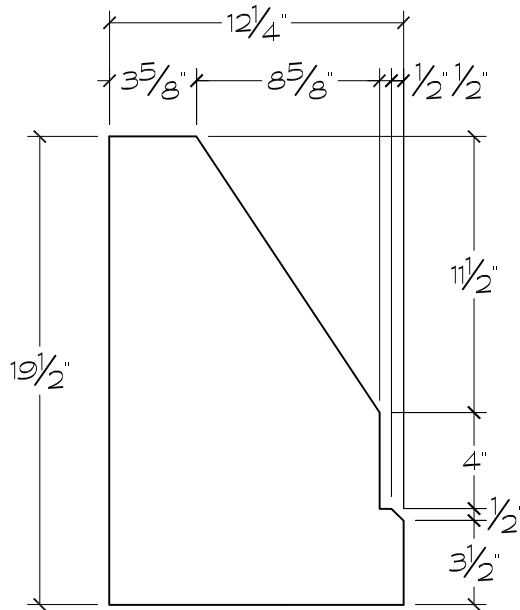
Harvey Cement Products, Inc.

Since 1947

16030 Park Avenue, Harvey, IL 60426

Ph: 708.333.1900 F: 708.333.1910

www.harveycement.com



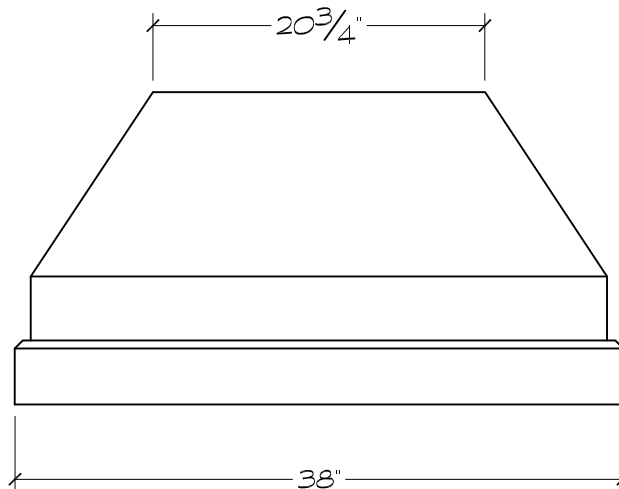
CROSS SECTION

1

PROFILE KG

ARCH REF:
SCALE: 3"=1'-0"

FRONT VIEW



DRIP EDGE - OPTIONAL

Profile ID

KG

SUGGESTED USE

Sill	
Transition Band	
Coping	
Cap	X
Band	
Field	

TYPE / SIZE
AVAILABILITY

TYPE	LENGTH(S)
Cap	38"